



SAW Components

Data Sheet X 6989 D





SAW Components

X 6989 D

Bandpass Filter

57,00 MHz

Data Sheet

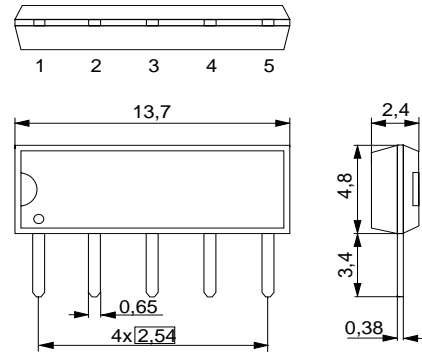
Duroplast package **SIP5D**

Features

- IF filter for digital cableTV
- Standard IC package

Terminals

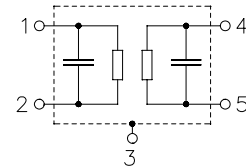
- Tinned CuFe alloy



Dimensions in mm, approx. weight 0,5 g

Pin configuration

- 1 Input
- 2 Input - ground
- 3 Chip carrier - ground
- 4 Output
- 5 Output



| Type | Ordering code | Marking and package according to | Packing according to |
|----------|-------------------|----------------------------------|----------------------|
| X 6989 D | B39570-X6989-N201 | C61157-A1-A21 | F61074-V8049-Z000 |

Maximum ratings

| | | | | |
|----------------------------|-----------|---------|----|-----------------------|
| Operable temperature range | T_A | -25/+75 | °C | |
| Storage temperature range | T_{stg} | -40/+85 | °C | |
| DC voltage | V_{DC} | 5 | V | between any terminals |
| AC voltage | V_{pp} | 10 | V | between any terminals |



| | |
|------------------------|------------------|
| SAW Components | X 6989 D |
| Bandpass Filter | 57,00 MHz |

Data Sheet

Characteristics

Reference temperature: $T_A = 25 (45) \text{ }^\circ\text{C}$
 Terminating source impedance: $Z_S = 50 \text{ } \Omega$
 Terminating load impedance: $Z_L = 2 \text{ k}\Omega \parallel 3 \text{ pF}$

| | | min. | typ. | max. | |
|---|--|------|-------------|------|------------------|
| Insertion attenuation | | | | | |
| | α | | | | |
| Reference level for the following data | 57,08 (57,00) MHz | 11,1 | 12,6 | 14,1 | dB |
| Pass bandwidth | | | | | |
| $\alpha_{\text{rel}} \leq 3 \text{ dB}$ | $B_{3\text{dB}}$ | — | 6,0 | — | MHz |
| $\alpha_{\text{rel}} \leq 30 \text{ dB}$ | $B_{30\text{dB}}$ | — | 7,5 | — | MHz |
| Relative attenuation | | | | | |
| | α_{rel} | | | | |
| | 54,53 (54,45) MHz | -1,2 | -0,2 | 0,8 | dB |
| | 59,53 (59,45) MHz | -0,9 | 0,1 | 1,1 | dB |
| | 54,03 (53,95) MHz | — | 2,7 | — | dB |
| | 60,03 (59,95) MHz | — | 3,4 | — | dB |
| | 60,39 (60,31) MHz | — | 11,0 | — | dB |
| Lower sidelobe | | | | | |
| | 45,08 ... 52,08 (45,00 ... 52,00) MHz | 38,0 | 43,0 | — | dB |
| | 52,08 ... 53,03 (52,00 ... 52,95) MHz | 34,0 | 39,0 | — | dB |
| Upper sidelobe | | | | | |
| | 60,88 ... 62,58 (60,80 ... 62,50) MHz | 32,0 | 38,0 | — | dB |
| | 62,58 ... 65,08 (62,50 ... 65,00) MHz | 38,0 | 44,0 | — | dB |
| Reflected wave signal suppression | | | | | |
| 1,2 μs ... 6,0 μs after main pulse (test pulse 250 ns, carrier frequency 57,08 MHz) | | 42,0 | 52,0 | — | dB |
| Feedthrough signal suppression | | | | | |
| 1,3 μs ... 1,2 μs before main pulse (test pulse 250 ns, carrier frequency 57,08 MHz) | | 50,0 | 56,0 | — | dB |
| Group delay ripple (p-p) | | | | | |
| Aperture 50 kHz | | | | | |
| | 54,03 ... 60,08 (53,95 ... 60,00) MHz | — | 50 | — | ns |
| Impedance at 57,08 MHz | | | | | |
| | Input: $Z_{\text{IN}} = R_{\text{IN}} \parallel C_{\text{IN}}$ | — | 0,7 17,4 | — | k Ω pF |
| | Output: $Z_{\text{OUT}} = R_{\text{OUT}} \parallel C_{\text{OUT}}$ | — | 0,8 4,4 | — | k Ω pF |
| Temperature coefficient of frequency | | | | | |
| | TC_f | — | -72 | — | ppm/K |



SAW Components

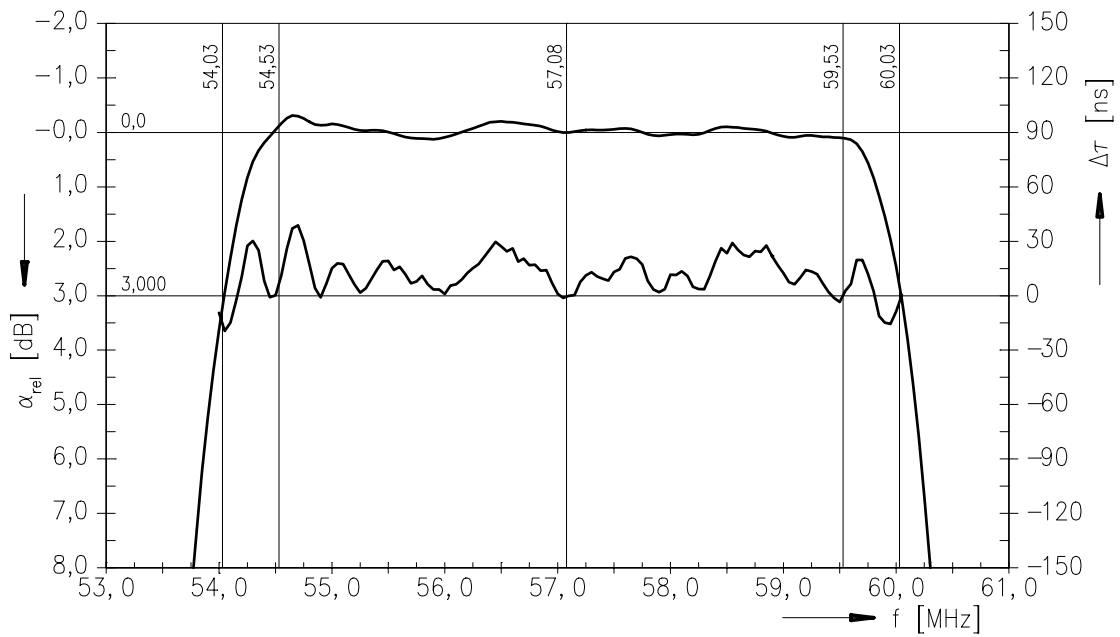
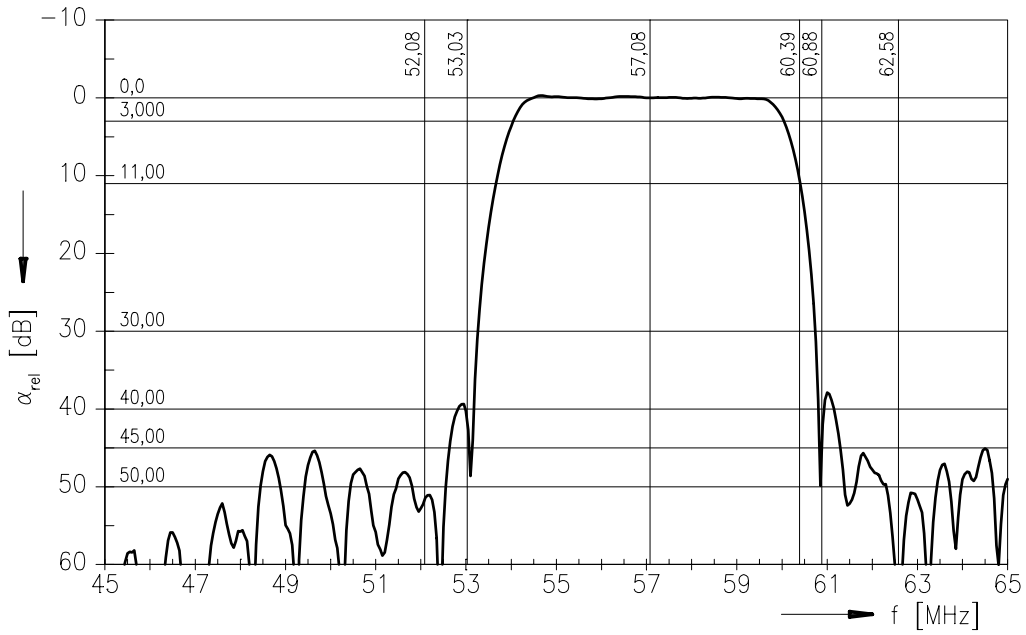
X 6989 D

Bandpass Filter

57,00 MHz

Data Sheet

Frequency response





SAW Components

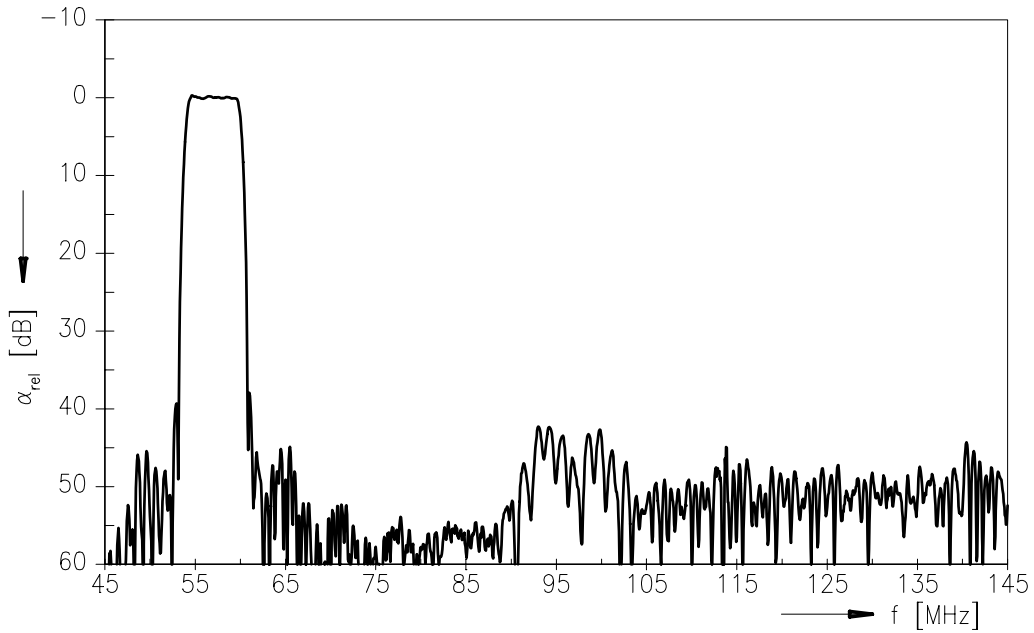
X 6989 D

Bandpass Filter

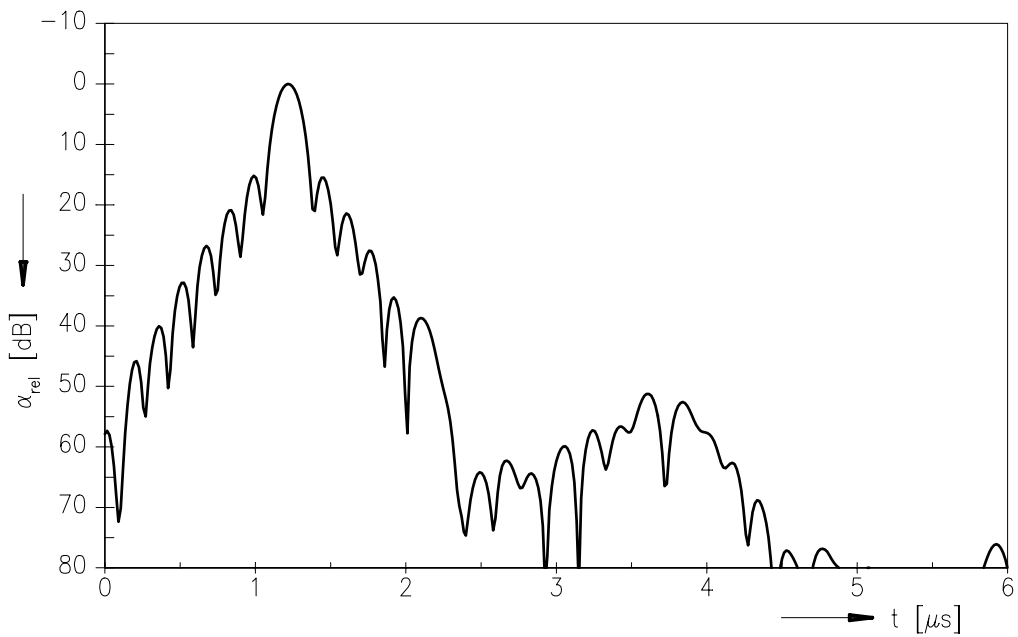
57,00 MHz

Data Sheet

Frequency response



Time domain response





SAW Components

X 6989 D

Bandpass Filter

57,00 MHz

Data Sheet

Published by EPCOS AG

Surface Acoustic Wave Components Division, SAW CE MM PD

P.O. Box 80 17 09, 81617 Munich, GERMANY

© EPCOS AG 2003. Reproduction, publication and dissemination of this brochure and the information contained therein without EPCOS' prior express consent is prohibited.

Purchase orders are subject to the General Conditions for the Supply of Products and Services of the Electrical and Electronics Industry recommended by the ZVEI (German Electrical and Electronic Manufacturers' Association), unless otherwise agreed.

This brochure replaces the previous edition.

For questions on technology, prices and delivery please contact the Sales Offices of EPCOS AG or the international Representatives.

Due to technical requirements components may contain dangerous substances. For information on the type in question please also contact one of our Sales Offices.